

Delta Robot Manual

Version: 1.0.0

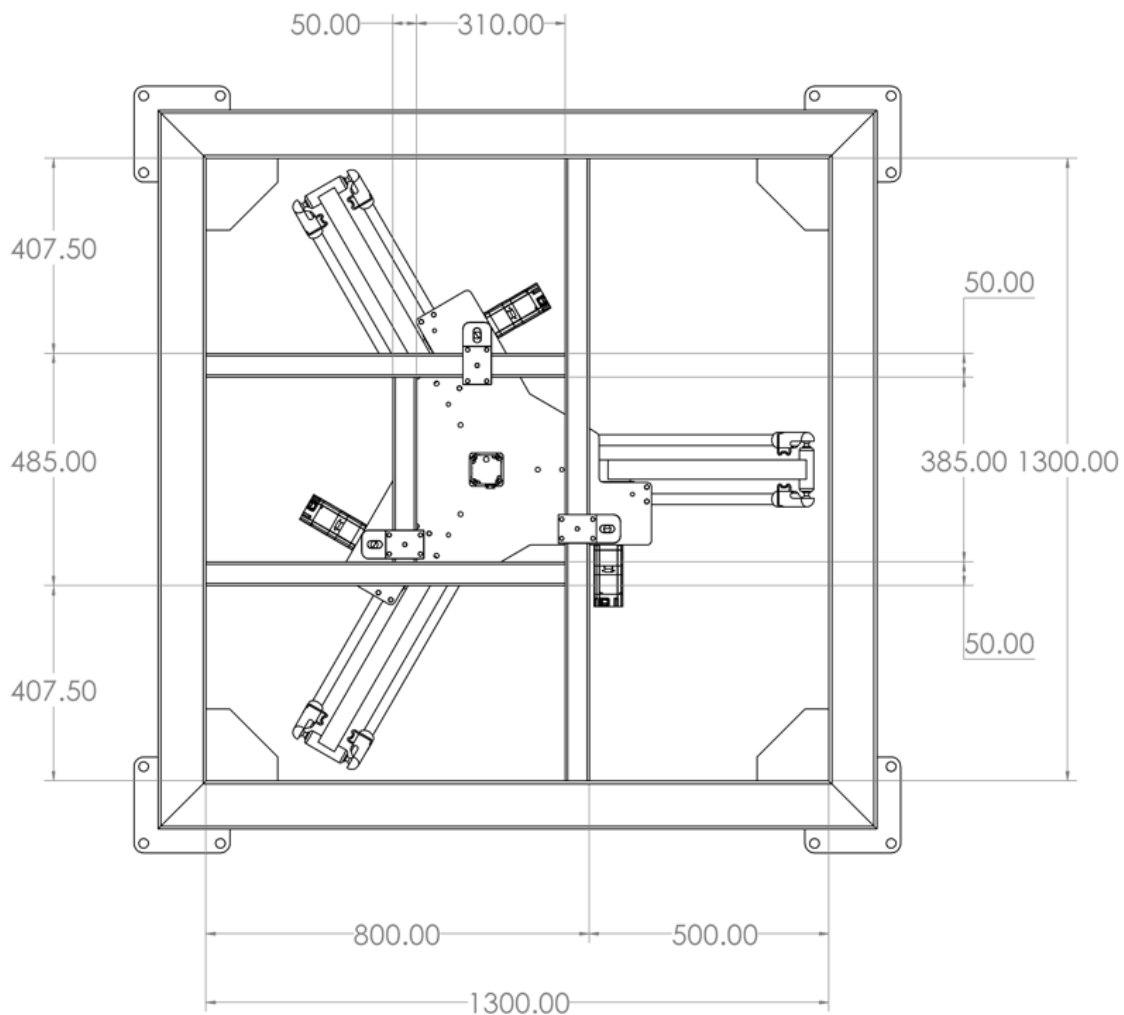
Last Updated: 2025-03-06

Specification

- Up to 120 ppm
- Repeatability 0.05 mm
- Payload Max 15 kg
- Diameter reach 1000 mm
- Rz rotational axis (optional)

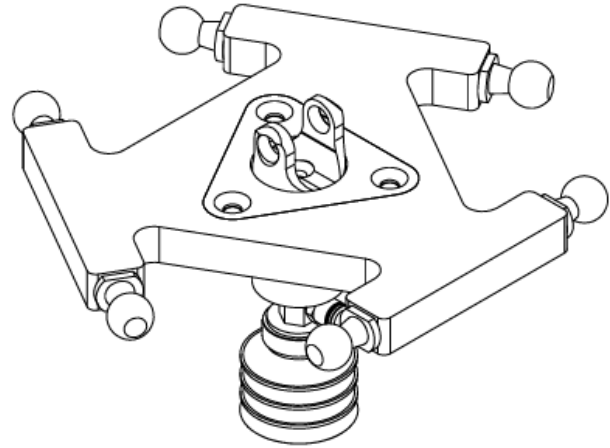
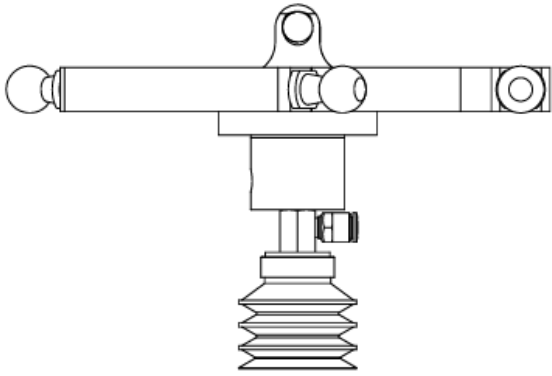
Metal Stand Configuration

The robot is secured at three points using 16 mm holes located on the upper plate. It operates safely within an inner enclosure measuring 1300 mm × 1300 mm. The inner metal tubes forming the “H” structure have dimensions of 50 mm × 50 mm. Precise alignment of the “H” configuration is crucial to ensure a perfect fit with the three mounting holes.



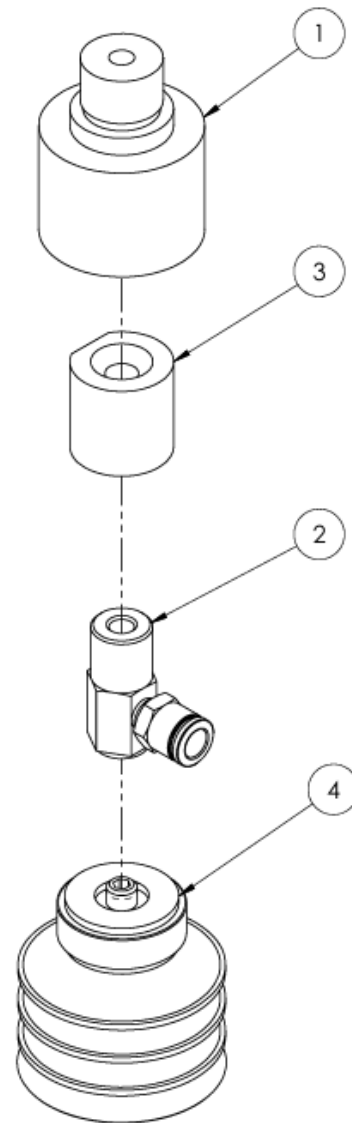
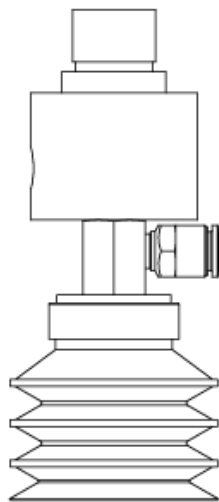
End Effector Configuration

The robot will be equipped with a standard vacuum suction cup apparatus, as shown in the image below.



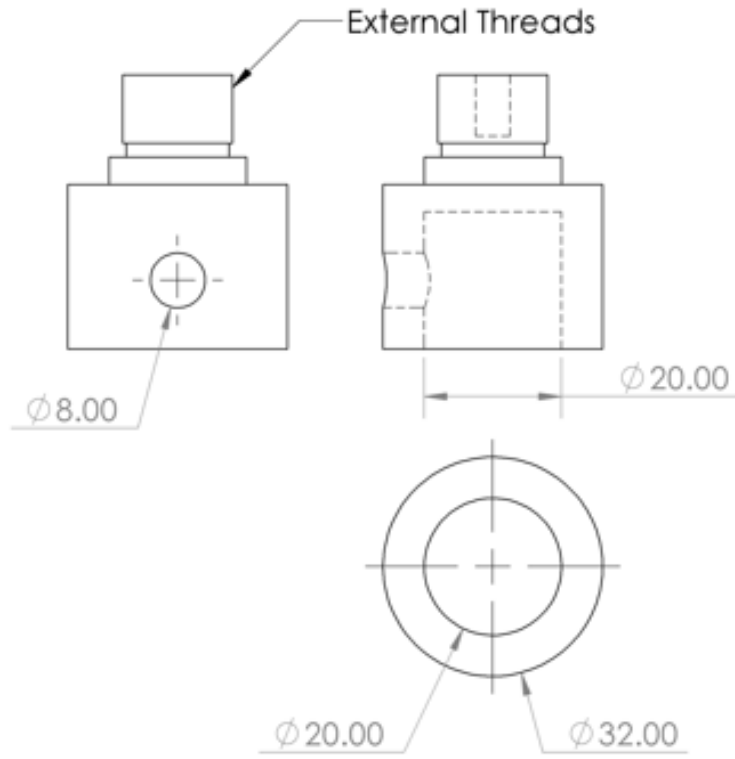
Vacuum Suction Apparatus

ITEM NO.	PART NUMBER	QTY.
1	END EFFECTOR	1
2	SUCTION CUP HOLDER	1
3	VACUUM CUP CONNECTOR/ADAPTER	1
4	VACUUM SUCTION CUP ESS-40-CN	1

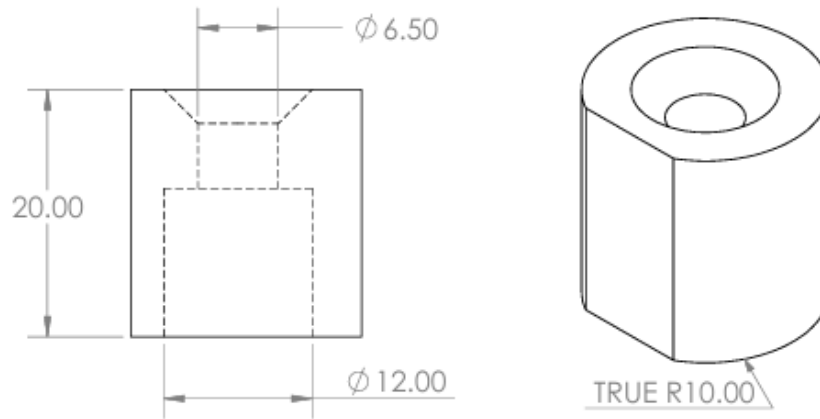


End Effector Mounting

To mount a custom end effector, please ensure compatibility with the vacuum cup adapter and/or with the end effector specified below.



Vacuum Cup Connector/Adapter



Reachable Workspace

